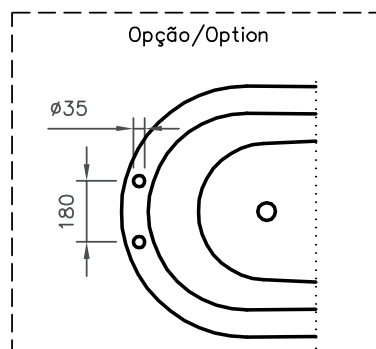
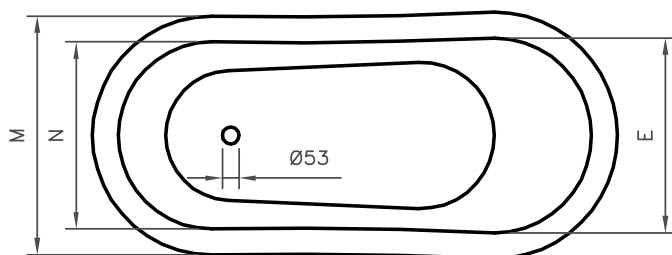
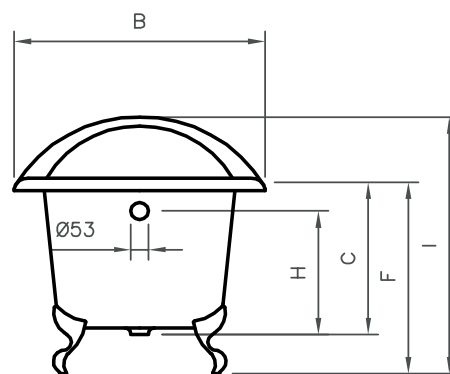
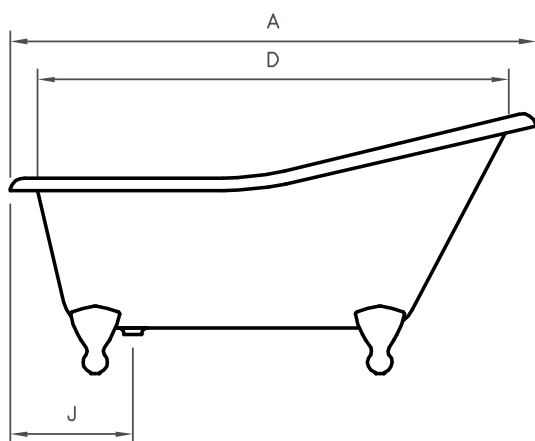


BATHS

COLLECTION

Ginevra 1700 or 1540 Slipper Bath on chrome feet or primed feet 1700x760x580mm
(2 tap holes)

DIMENSÕES EM MILIMETROS													
REF.	A	B	C	D	E	F	H	I	J	M	N	VOL.	PESO
1370	1370	765	445	1226	600	582	353	779	290	740	580	165L	102KG
1540	1540	765	445	1380	600	582	353	779	290	740	580	180L	120KG
1700	1700	760	450	1548	608	580	370	795	300	730	578	205L	129KG



Silverdale Ltd
Silverdale Road,
Newcastle Under Lyme,
Staffordshire,
ST5 6EH.

Telephone: 01782 717 175 Facsimile: 01782 717 166

Email: sales@silverdalebathrooms.co.uk

www.silverdalebathrooms.co.uk