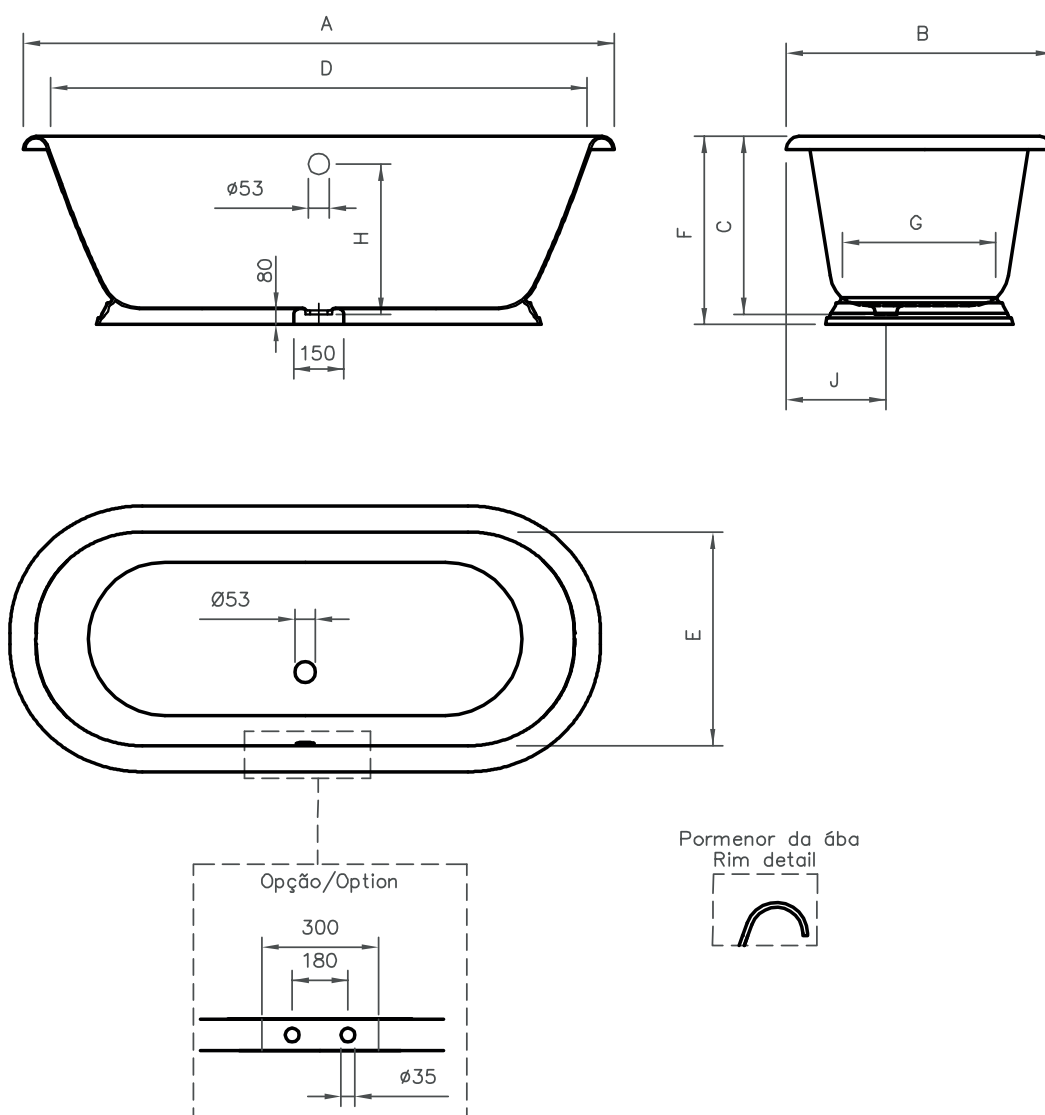


BATHS

COLLECTION

Portia dual roll top on plinth Bath 1780x800x585mm (2 Tap holes)

DIMENSÕES EM MILIMETROS											
REF.	A	B	C	D	E	F	G	H	J	VOL.	PESO
1780	1780	800	543	1640	660	585	450	465	290	240L	182KG



Silverdale Ltd
Silverdale Road,
Newcastle Under Lyme,
Staffordshire,
ST5 6EH.

Telephone: 01782 717 175 Facsimile: 01782 717 166

Email: sales@silverdalebathrooms.co.uk

www.silverdalebathrooms.co.uk