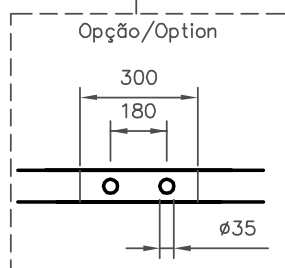
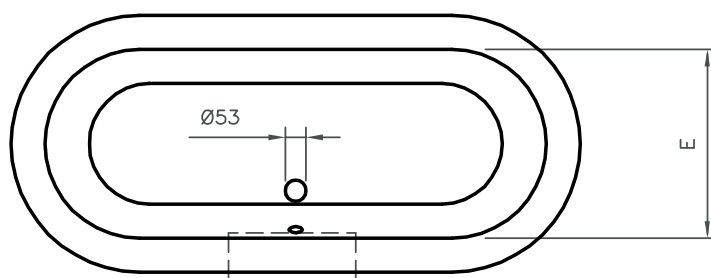
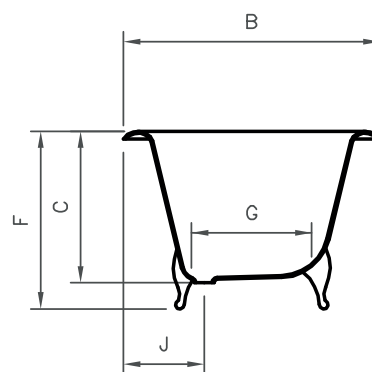
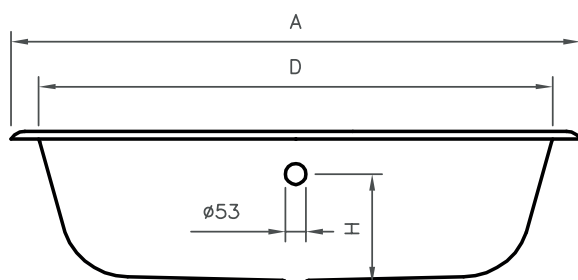


BATHS

COLLECTION

Rosamund dual roll top Bath on chrome feet or primed 1700x780x585mm
(2 Tap holes)

DIMENSÕES EM MILIMETROS											
REF.	A	B	C	D	E	F	G	H	J	VOL.	PESO
1540	1540	780	473	1410	620	585	450	370	285	170L	113KG
1700	1700	780	475	1560	620	585	450	372	275	190L	129KG



Silverdale Ltd
Silverdale Road,
Newcastle Under Lyme,
Staffordshire,
ST5 6EH.

Telephone: 01782 717 175 Facsimile: 01782 717 166

Email: sales@silverdalebathrooms.co.uk

www.silverdalebathrooms.co.uk