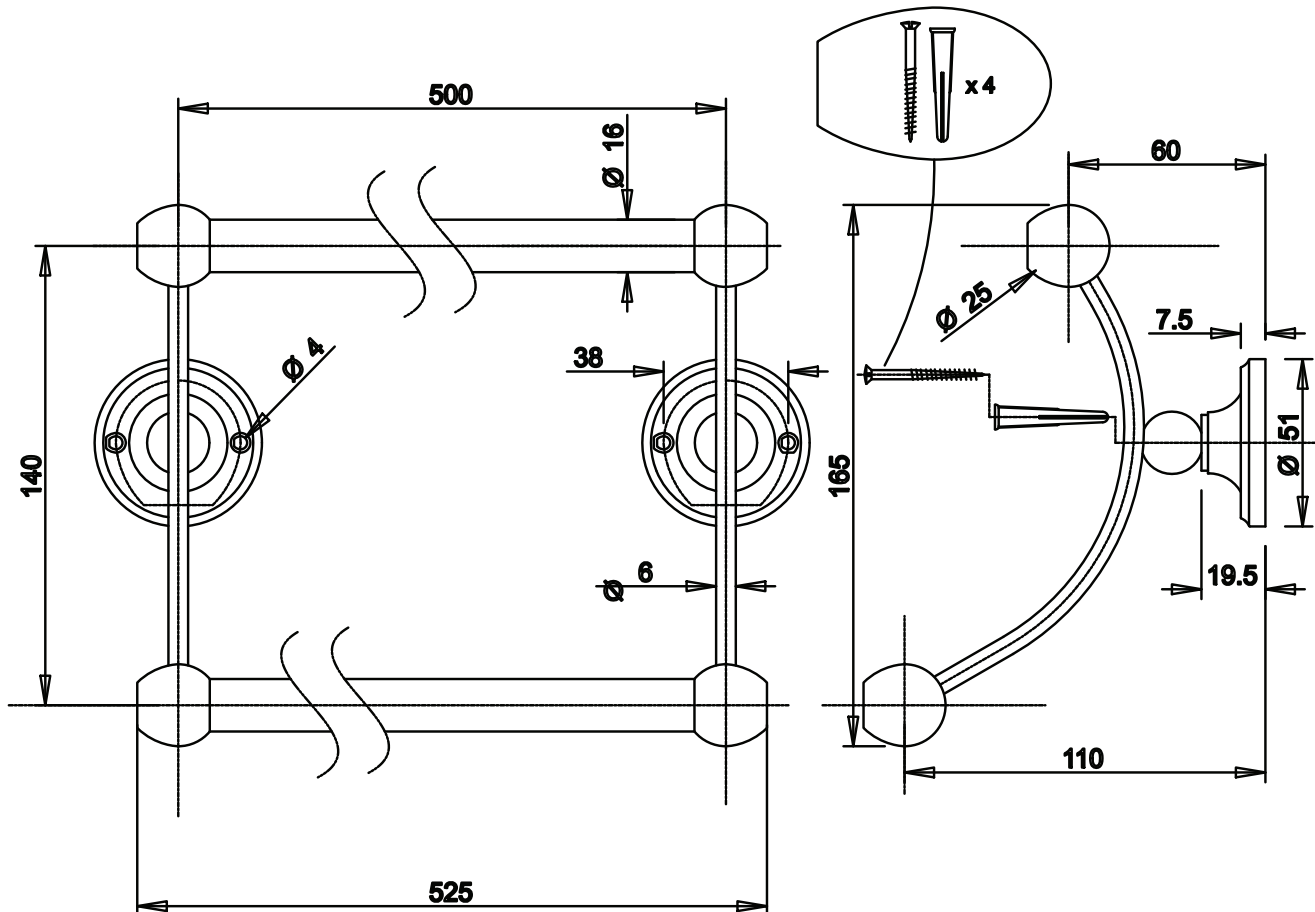
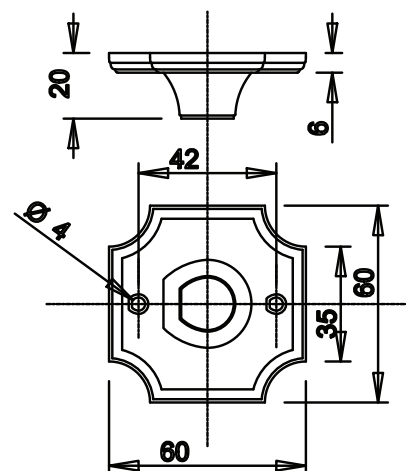


Double Towel Rail



B.C SANITAN BACKPLATE DETAIL



NOTE: BERKELEY VARIANT SHOWN

scale. 1:2

issue level 1

file ref. berkral.dft

12/99