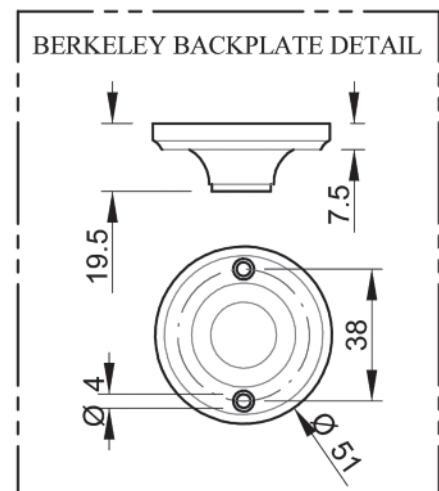
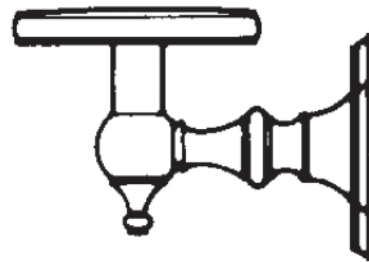
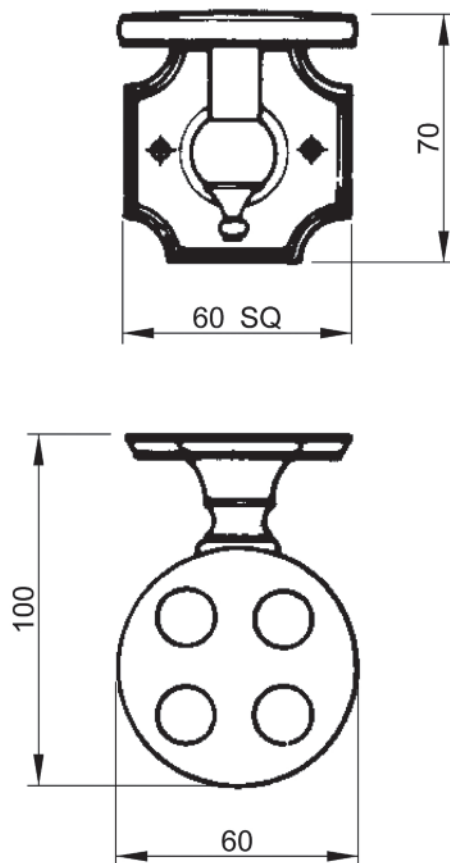


Toothbrush Holder



file ref. santbrsh.dft

issue level 1

08/99

Silverdale Bathrooms

Silverdale Road, Newcastle Under Lyme, Staffordshire, ST5 6EL.

Telephone: 01782 717175 Facsimile: 01782 717166

Email: sales@silverdalebathrooms.co.uk

www.silverdalebathrooms.co.uk