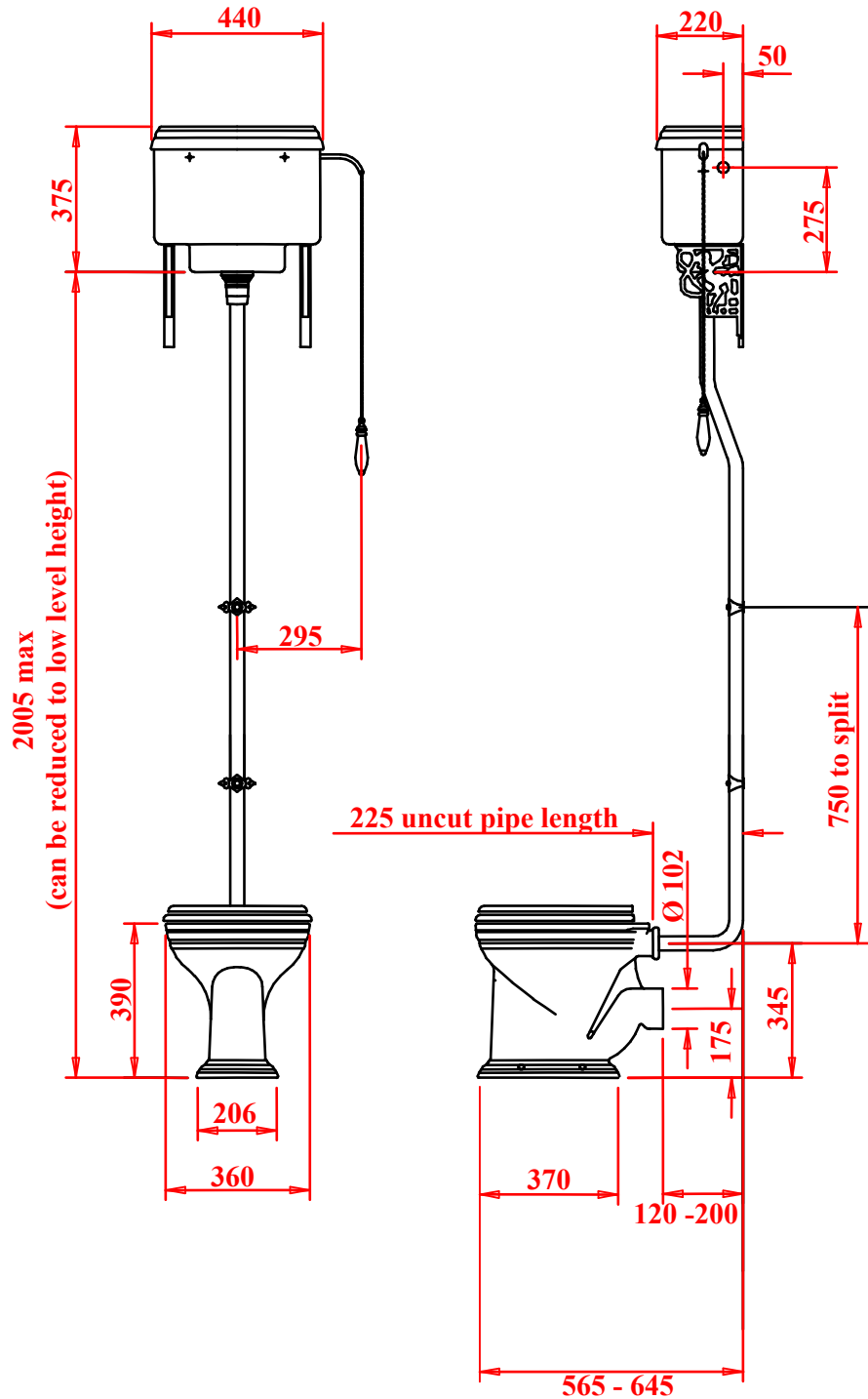


# VICTORIAN LOW LEVEL CLOSET & HIGH LEVEL CISTERN



Scale	1:20
Issue	1
File ref.	Vic_hl_wc_mk2.dft
Date	02/02

R2  
 Ammended roughing in dimension to allow for flush pipe to be cut  
 as required  
 SHC 02/08/17