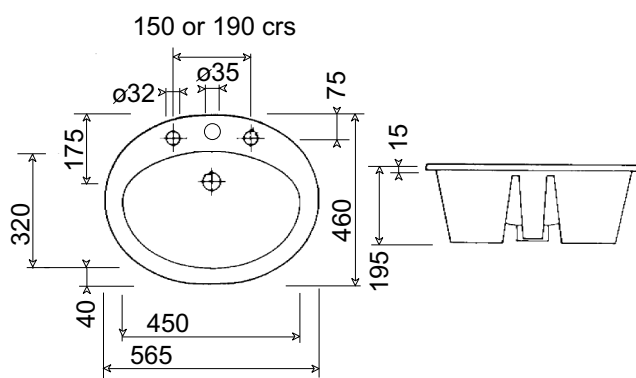


COQUET INSET BASIN

2 or 3TH



scale - 1:20

2/00